



EBARA

CP2102EC

VERTICAL AXIAL-FLOW PUMPS

Model VS Bore 350~1000mm (14~40in)



EBARA VERTICAL AXIAL-FLOW PUMPS

Features

- Higher operating efficiency over a wide range of capacities reduce operation cost.
- Simple construction permits easy maintenance.
- Smaller installation space than that of horizontal pumps.
- Guaranteed high performance, quality and prompt delivery.

Applications

River water drainage,
Irrigation and drainage for agricultural use,
Water intake/transfer for general industrial use

Specifications

Bore	350~1000mm (14~40in)
Capacity	Approx. 12~150m ³ /min (3200~40000USGPM)
Total head	Approx. 1.6~6m (5.3~20ft)
Liquid	Fresh water, River water, Sewage, Sea water, etc. Temperature 0~45°C (32~110°F)
Construction	
Radial bearing	Submerged bearing
Thrust bearing	Ball bearing
Shaft seal	Gland packing
Accessories	Pump base, shaft coupling, drain piping, anchor bolts

Materials

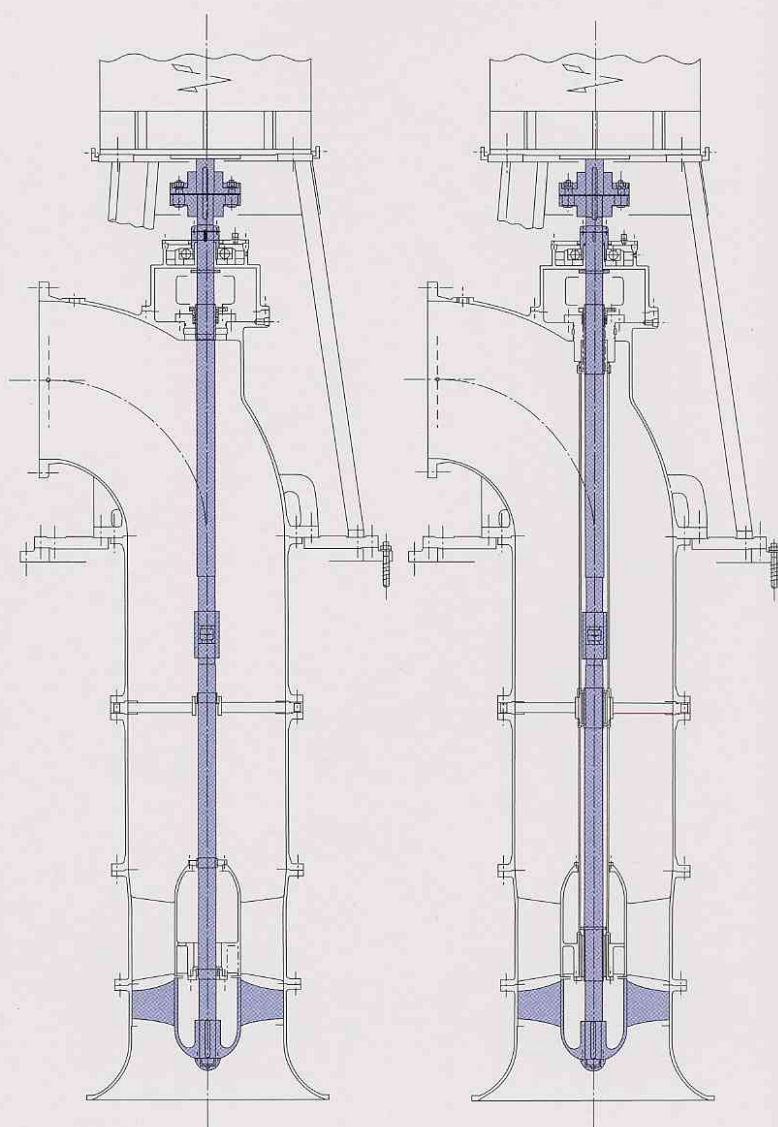
(Typical material combinations)

	Fresh water	River water	Sewage	Sea water
Casing	Cast Iron/ Rolled Steel	Cast Iron/ Rolled Steel	Cast Iron/ Rolled Steel	Low Alloy C.I. /Ni-resist D2 /316S.S.
Impeller	Bronze	Bronze/ 304S.S.	Bronze/ 304S.S.	316S.S.
Shaft	Carbon Steel	Carbon Steel	420S.S.	316S.S.
Shaft sleeve	304S.S.	304S.S.	304S.S.	316S.S.
Shaft-enclosing tube	Carbon Steel	Carbon Steel	304S.S.	316L S.S.
Pump base	Cast Iron			
Driver pedestal	Rolled Steel			

- Other materials such as Nickel aluminium bronze, Duplex stainless steel, Monel, Alloy 20, etc. can also be applied.
- Selection of material requires careful study of the properties of the liquid handled and of the operating conditions, etc.
For specific details, please consult our factory.

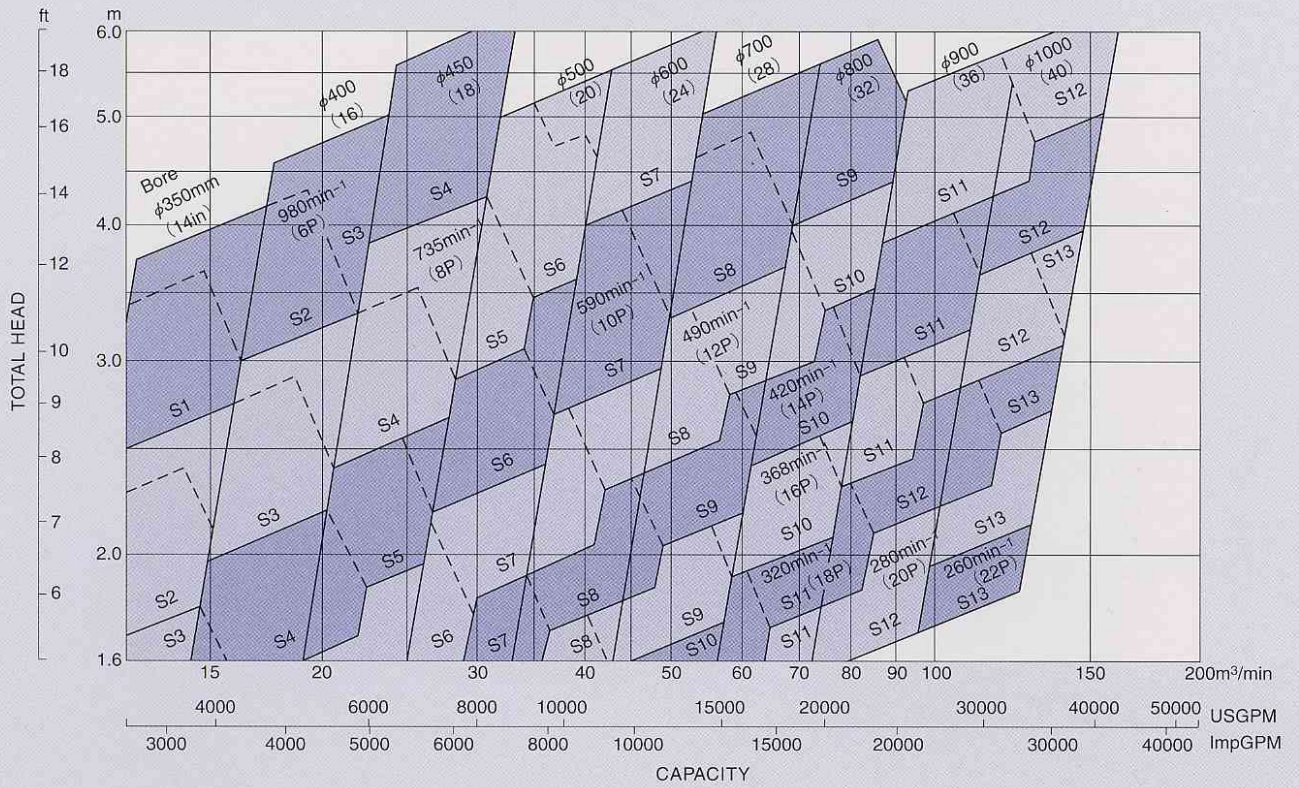
Open line shaft

Enclosed line shaft

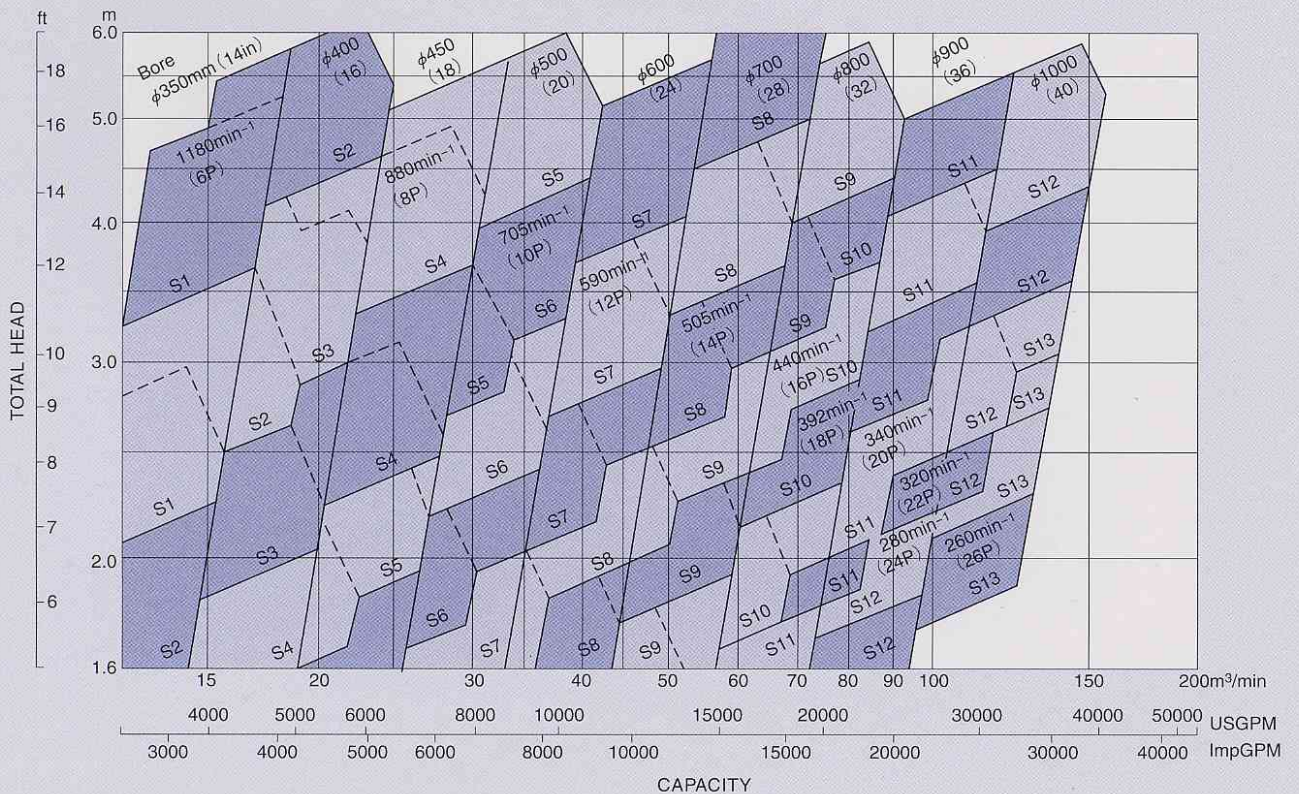


Selection Chart

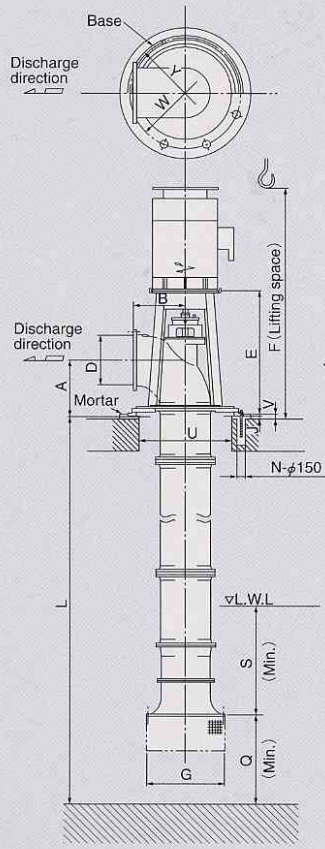
50Hz



60Hz



Outline Dimensions



(Suction strainer is option)
(mm)

Discharge Bore Dmm(In)	A	B	E	F	J	Q	S	V	U	W	Y	N	Impeller No.	G	Approx pump mass(kg)
350 (14)	445	400	1500	4000	25	300	700	55	750	1100	1150	4	S1 S2 S3	650 650 650	3000
400 (16)	495	450	1600	4500	30	350	800	60	850	1200	1260	4	S2 S3 S4	650 650 720	3700
450 (18)	550	500	1800	5000	30	350	850	60	950	1300	1360	6	S4 S5 S6	720 820 820	4300
500 (20)	600	550	1900	5000	30	400	900	60	1050	1400	1460	6	S5 S6 S7	820 820 920	4900
600 (24)	725	650	2300	5500	40	500	1000	90	1150	1500	1570	6	S7 S8	920 1020	6800
700 (28)	830	750	2400	6000	40	550	1200	90	1350	1700	1770	8	S8 S9 S10	1020 1150 1150	8500
800 (32)	930	850	2500	6000	40	600	1300	90	1500	1850	1920	8	S9 S10 S11	1150 1150 1300	12000
900 (36)	1040	950	2700	6000	40	700	1500	90	1700	2050	2120	8	S11 S12	1300 1450	14500
1000 (40)	1150	1050	2800	6000	50	750	1600	100	1850	2200	2280	8	S12 S13	1450 1650	17000

NOTE) Pump mass is based on 5 meters of L.



EBARA CORPORATION

Sales headquarter Phone:81-3-5714-6111 (TOKYO)

OVERSEAS OFFICE

Italy Office Phone:39-0444-706-901

Singapore Branch Office Phone:65-6862-3536

Beijing Office Phone:86-10-6590-8150

Bangkok Office Phone:66-2-216-4935/4936

Jakarta Office Phone:62-21-571-0213

Manila Office Phone:63-2-816-7524

Taipei Office Phone:886-2-2567-1310

Ebara Middle East Office Phone:971-4-883-8889