



**EBARA**

# DWO

OPEN IMPELLER CENTRIFUGAL ELECTRIC PUMPS

60 Hz

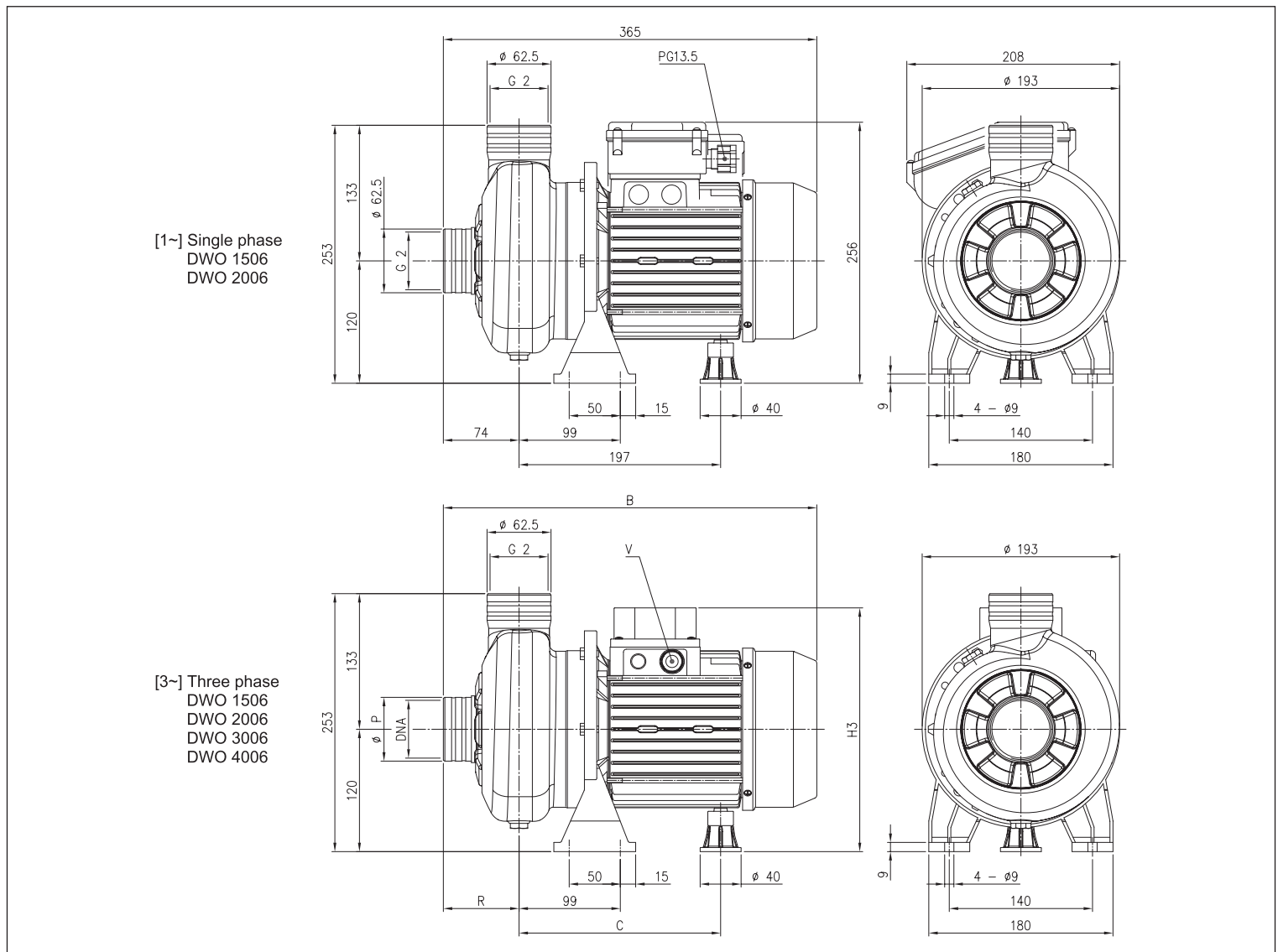




## OPEN IMPELLER CENTRIFUGAL ELECTRIC PUMPS

in AISI 304

220-230V	220/380V	P <sub>2</sub>		Q=								
		[HP]	[kW]	l/min	100	200	300	400	600	800	950	1100
				m <sup>3</sup> /h	6	12	18	24	33	42	57	66
				H= [m]								
DWO 1506 M	DWO 1506	1,5	1,1	10,3	9,7	8,5	7,0	3,5	-	-	-	-
DWO 2006 M	DWO 2006	2	1,5	13,5	12,9	12,0	10,7	7,8	4,4	-	-	-
-	DWO 3006	3	2,2	15,5	15,0	14,2	13,1	10,5	7,5	4,9	-	-
-	DWO 4006	4	3	18,6	18,0	17,3	16,5	14,5	11,9	9,7	7,2	-

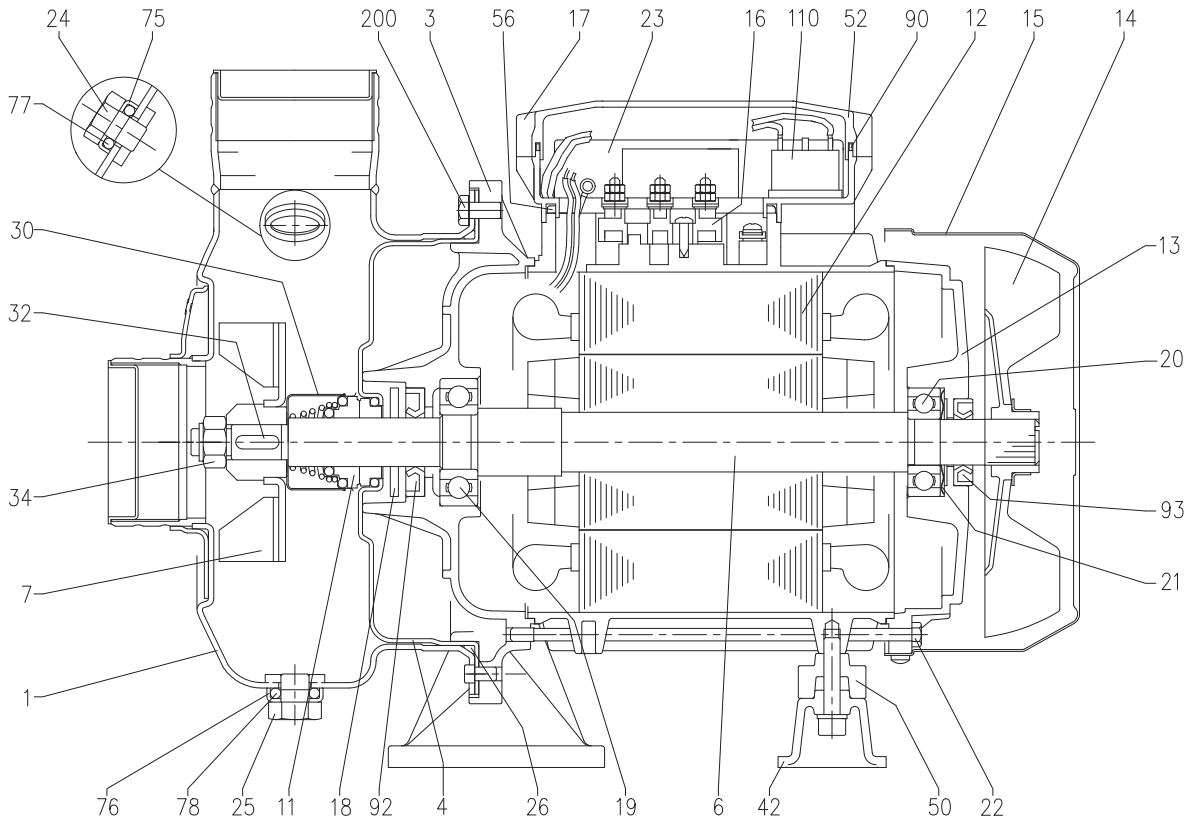


	B [1]	C [1]	H3 [1]	R [1]	P [1]	V [1]	DNA [1]	[2]	[kg]	[1]
DWO 1506	365	197	239	74	62,5	PG11	G2	13,6		14,6
DWO 2006	378	197	239	74	62,5	PG11	G2	15,7		16,4
DWO 3006	416	230±241	244	78	80	PG13,5	G2½	-		19,2
DWO 4006	455	230±241	244	78	80	PG13,5	G2½	-		22,3

[1]= Three phase only  
[2]= Single phase only

## OPEN IMPELLER CENTRIFUGAL ELECTRIC PUMPS

in AISI 304

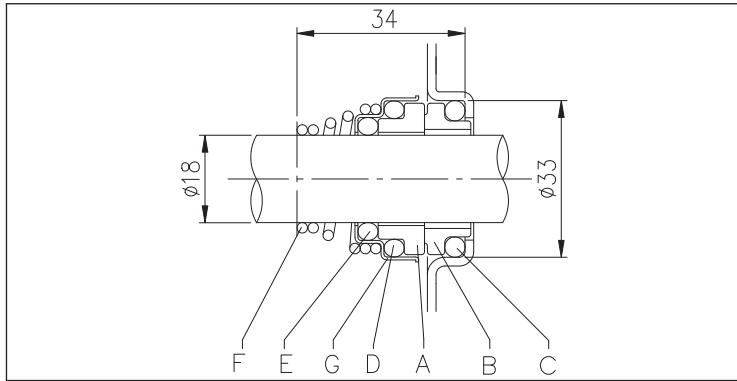


Ref.		Ref.	
1	Pump body	25	Drain plug
3	Motor support	26	O-Ring
4	Seal housing disc	30	Spray protector washer
6	Shaft	32	Key
7	Impeller	34	Impeller nut
11	Mechanical seal	42	Foot
12	Motor case	50	Foot spacer
13	Motor cover	52	Capacitor-holder box [2]
14	Fan	56	Terminal box cover gasket
15	Fan cover	75	Washer
16	Terminal box	76	Washer
17	Terminal box cover [1]	77	O-Ring
18	Spray protector ring	78	O-Ring
19	Bearing (pump side)	90	Terminal box cover box gasket [2]
20	Bearing (motor side)	92	Sealing ring
21	Adjusting ring	93	Sealing ring
22	Tie-rod	110	Motorprotector [2]
23	Capacitor [2]	200	Screw (pump body)
24	Filler cap		

[1]= Three phase only  
[2]= Single phase only

## OPEN IMPELLER CENTRIFUGAL ELECTRIC PUMPS

in AISI 304



Ref.		
A	Rotating part	Ceramic
B	Fixed part	Carbon
C	O-Ring	NBR
D	O-Ring	NBR
E	O-Ring	NBR
F	Spring	AISI 316
G	Structure/frame	AISI 304

(on request)

	H version	HS version	HW version
Fixed Part	Carbon	SiC	Tungsten Carbide
Rotating Part	Ceramic	SiC	Tungsten Carbide
Elastomers	FPM	FPM	FPM
Spring	AISI 316	AISI 316	AISI 316
Structure/Frame	AISI 304	AISI 316	AISI 316

220-230V	220/380V	P <sub>2</sub>		Capacitor		P <sub>1</sub>		Absorbed Current [A]		
		[HP]	[kW]	μF	V <sub>c</sub>	[kW]	[kW]	220-230V	220V	380V
DWO 1506 M	DWO 1506	1,5	1,1	35	450	1,5	2	7,2	5,7	3,3
DWO 2006 M	DWO 2006	2	1,5	35	450	2,06	2,9	9,8	8,1	4,7
-	DWO 3006	3	2,2	-	-	-	2,9	-	7,0	4,1
-	DWO 4006	4	3	-	-	-	3,9	-	10,5	6,1



**EBARA**

