



EBARA

JESX-JEX

SELF-PRIMING ELECTRIC PUMPS

60 Hz





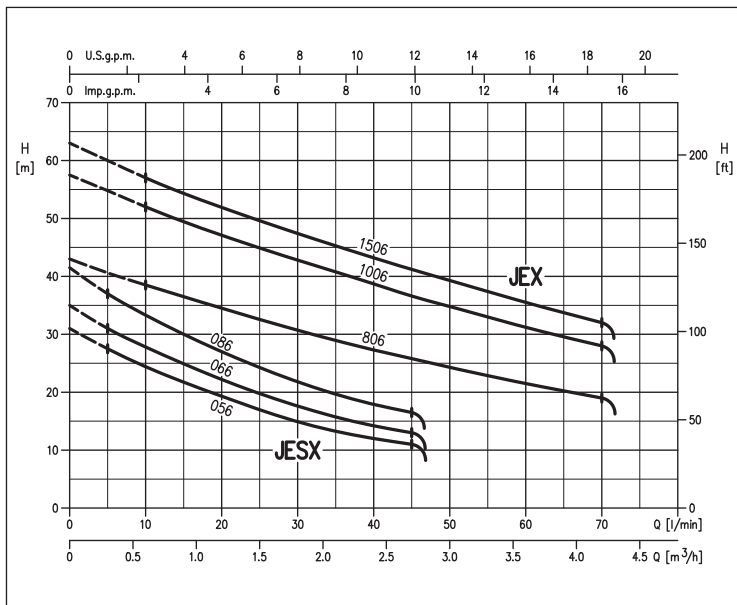
JESX - JEX

SELF-PRIMING ELECTRIC PUMPS

in AISI 304



(according to ISO 9906 Attachment A)



Self-priming electric pumps in AISI 304 stainless steel.

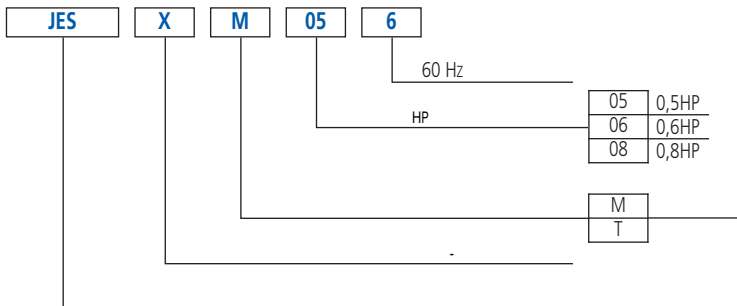
-
-
-
-
-

• 가

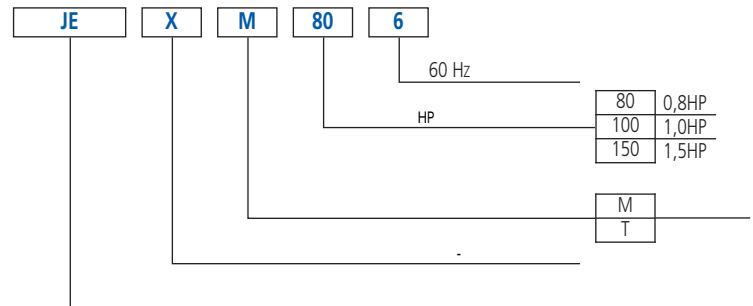
- : JESX - 6 bar, JEX - 8 bar
- : 45°C
- : 8m
- 2
- F
- IP54 (on request IP55)
- 110-115V ±6%, 60Hz
- 220-230V ±6%, 60Hz
- 220/380V -6%+10%, 60Hz
- : JESX - G1, JEX - G1¼
- : G1

- Pump body and seal housing disc in AISI 304
- Shaft in AISI 303 (part in contact with the liquid)
- Impeller in AISI 304 for JEX, in PPE+PS reinforced with fibreglass for JESX
- Mechanical seal in Carbon/Ceramic/NBR
- Support and motor casing in aluminium

JESX



JEX



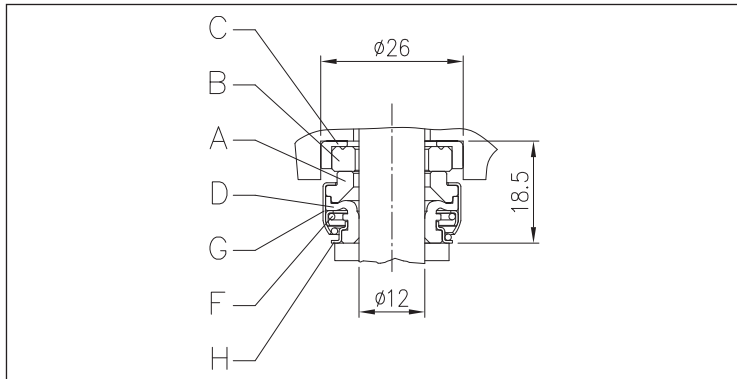
SELF-PRIMING ELECTRIC PUMPS

in AISI 304

Ref.			Ref.		
1	Pump body	AISI 304	22	Tie-rod	Galvanised Fe 42
3	Motor support	Aluminium	23	Capacitor [2]	-
4	Seal housing disc	AISI 304	24	Filler cap	PA6
6	Rotor shaft	AISI 303 (Part in contact with the liquid)	25	Drain plug	PA6
7	Impeller	PPE+PS reinforced with fibreglass	26	O-Ring	NBR
9	Venturi Unit + nozzle	PPE+PS reinforced with fibreglass	28	O-Ring	NBR
11	Mechanical seal	Carbon/Ceramic/NBR	30	Mechanical seal spacer	Brass
12	Motor case	-	34	Impeller nut [1]	AISI 304
13	Motor cover	Aluminium	42	Foot	Aluminium
14	Fan	PA6	52	Capacitor-holder box [2]	ABS
15	Fan cover	Galvanised Fe P04	53	Cover gasket [2]	ABS+NBR
16	Terminal box	-	56	Terminal box cover gasket	NBR
17	Terminal box cover [1]	Aluminium	77	O-Ring	NBR
18	Spray protector washer	NBR	78	O-Ring	NBR
19	Bearing (pump side)	-	92	Sealing ring [3]	-
20	Bearing (motor side)	-	93	Sealing ring [3]	-
21	Adjusting ring	Steel C70	200	Screw (pump body)	A2 UNI7323 stainless steel

[1]= For three phase only
 [2]= For single phase only
 [3]= For IP55 only

JESX



Ref.		
A	Rotating part	Carbon
B	Fixed part	Ceramic
C	Gasket	NBR
D	Bellows	NBR
F	Spring	AISI 304
G	Structure/frame	AISI 304
H	Retainer ring	AISI 304

JESX

110-115/220-230V	220/380V	P ₂		Capacitor				P ₁		Absorbed Current [A]			
		[HP]	[kW]	110-115V μF	V _c	220-230V μF	V _c	[kW]	[kW]	110-115V	220-230V	220V	380V
JESXM 056	JESX 056	0,5	0,37	31,5	250	8	450	0,4	0,37	3,6	2,0	1,3	0,7
JESXM 066	JESX 066	0,6	0,44	30	250	8	450	0,46	0,4	4,1	2,2	1,4	0,8
JESXM 086	JESX 086	0,8	0,6	50	250	10	450	0,54	0,47	4,9	2,5	1,6	0,9

JESX - JEX

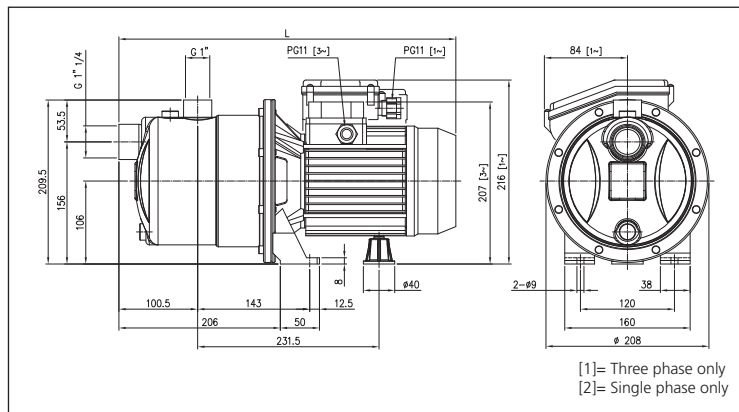
SELF-PRIMING ELECTRIC PUMPS

in AISI 304

JEX

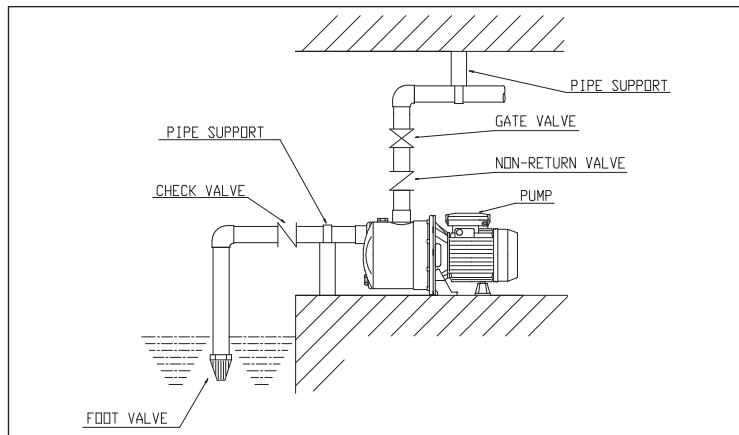
110-115/220-230V	220/380V	P_2		$Q=$								
		[HP]	[kW]	l/min	10	20	30	40	45	50	60	70
				m ³ /h	0,6	1,2	1,8	2,4	2,7	3	3,6	4,2
JEXM 806	JEX 806	0,8	0,6	38,5	35,0	30,7	27,3	25,8	24,3	21,5	19,0	
JEXM 1006	JEX 1006	1	0,75	52,0	47,0	43,0	38,7	36,6	34,8	31,2	28,0	
JEXM 1506	JEX 1506	1,5	1,1	57,0	52,0	47,5	43,2	41,2	39,3	35,5	32,0	

JEX



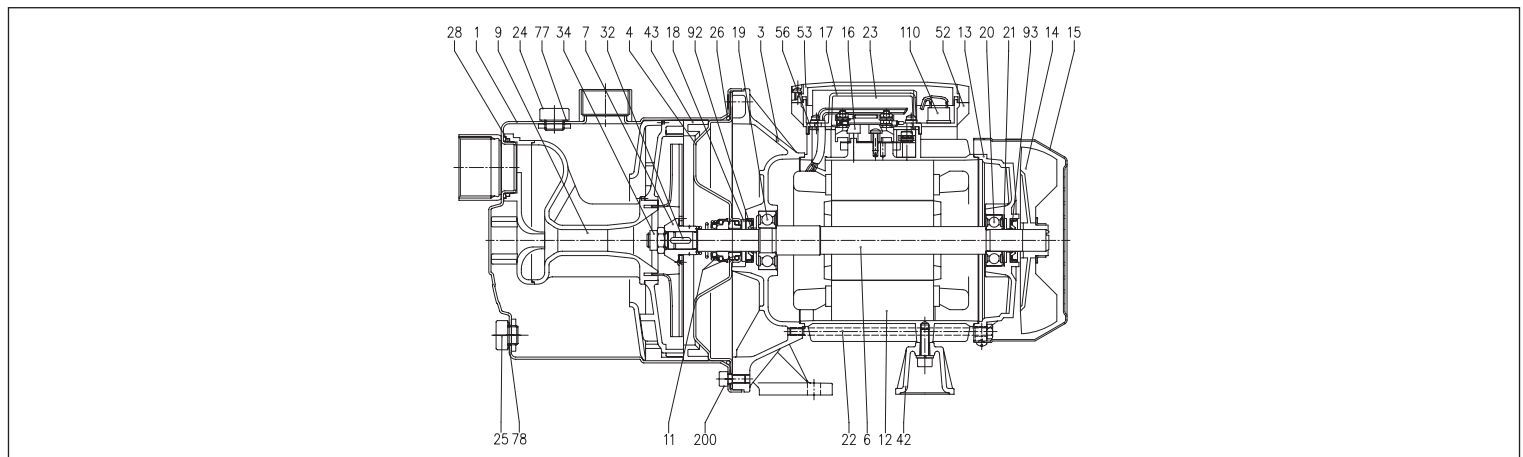
	L		[kg]	
	[2]	[1]	[2]	[1]
JEX(M) 086	419	418	10,2	10,2
JEX(M) 1006	419	418	11,6	11,6
JEX(M) 1506	419	430	14,3	15,3

[1]= Three phase only
[2]= Single phase only



For correct installation of the system, it is recommended to fit a foot valve on the suction and support/anchorage for the piping.

JEX



SELF-PRIMING ELECTRIC PUMPS

in AISI 304

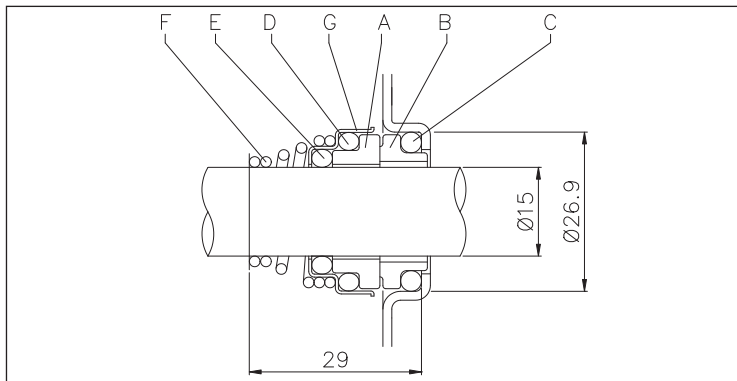
Ref.			Ref.		
1	Pump body	AISI 304	24	Filler cap	PA6
3	Motor support	Aluminium	25	Drain plug	PA6
4	Seal housing disc	AISI 304	26	O-Ring	NBR
6	Rotor shaft	AISI 303 (Part in contact with the liquid)	28	O-Ring	NBR
7	Impeller	AISI 304	32	Key	AISI 304
9	Venturi Unit + nozzle	PPE+PS reinforced with fibreglass	34	Impeller nut	AISI 304
11	Mechanical seal	Carbon/Ceramic/NBR	42	Foot	Aluminium
12	Motor case	-	43	Nozzle spacer	PPE+PS reinforced with fibreglass
13	Motor cover	Aluminium	52	Capacitor-holder box [2]	ABS
14	Fan	PA6	53	Cover gasket [2]	ABS
15	Fan cover	Galvanised Fe P04	56	Box gasket	NBR
16	Terminal box	-	77	O-Ring	NBR
17	Terminal box cover [1]	Aluminium	78	O-Ring	NBR
18	Spray protector washer	NBR	90	Terminal box cover gasket [2]	NBR
19	Bearing (pump side)	-	92	Sealing ring [3]	-
20	Bearing (motor side)	-	93	Sealing ring [3]	-
21	Adjusting ring	Steel C70	110	Motorprotector [2]	-
22	Tie-rod	Galvanised Fe 42	200	Screw (pump body)	A2 UNI7323 stainless steel
23	Capacitor [2]	-			

[1]= For three phase only

[2]= For single phase only

[3]= For IP55 only

JEX



Ref.		
A	Rotating part	Ceramic
B	Fixed part	Carbon
C	O-Ring	NBR
D	O-Ring	NBR
E	O-Ring	NBR
F	Spring	AISI 316
G	Structure/frame	AISI 304

JEX

110-115/220-230V	220/380V	P ₂		Capacitor				P ₁		Absorbed Current [A]			
		[HP]	[kW]	110-115V μF	V _c	220-230V μF	V _c	[kW]	[kW]	110-115V	220-230V	220V	380V
JEXM 806	JEX 806	0,8	0,6	60	250	14	450	1,0	0,87	9,2	4,9	2,8	1,6
JEXM 1006	JEX 1006	1	0,75	70	250	20	450	1,5	1,00	13,3	7,2	2,9	1,7
JEXM 1506	JEX 1506	1,5	1,1	-	-	25	450	1,7	1,50	-	8,1	3,8	2,2



EBARA

